

DualTech

COM1 - in-ceiling installation
 EAN 4007841 079574
 Article number 079574



ultrasonic sensor
360°



infrared sensor
360°



max. Ø 6 m
presence

2000 W

max. 2000 W



IP20



ideal 2,5 - 3,5 m



indoor sensor

iQ

iQ-mode

Teach

Teach mode



energy saving

Function description

The best of both worlds. Combined in one detector. Ultrasonic presence detector DualTech, ideal for offices, conference rooms and class rooms. 36 sq.m. presence zone, ultrasonic technology provides reliable detection behind objects regardless of temperature, additional detection capability with PIR technology, electronic adjustment for ultrasonic reach, COM1 for switching light ON and OFF.

Technical specifications

Dimensions (L x W x H)	103 x 120 x 120 mm	Angle of aperture	180 °
Manufacturer's Warranty	5 years	Sneak-by guard	Yes
Settings via	Remote control, DIP switches, Potentiometers, Smart Remote	Capability of masking out individual segments	No
With remote control	No	Electronic scalability	Yes
Version	COM1 - in-ceiling installation	Mechanical scalability	No
PU1, EAN	4007841079574	Reach, radial	Ultrasonic: Ultraschall: Ø 10 m (Ultraschall: 79 m ²)
Type	Presence detector	Reach, tangential	Ultrasonic: Ultraschall: Ø 10 m (Ultraschall: 79 m ²)
Application, place	Indoors	Reach, presence	Ultrasonic: Ultraschall: Ø 6 m (Ultraschall: 28 m ²)
Application, room	classroom, one-person office, open-plan office, conference room / meeting room, duty room, recreation room, Indoors	Reach, radial 2	passive infrared: Passiv Infrarot: Ø 4 m (Passiv Infrarot: 13 m ²)
Colour	white	Reach, tangential 2	passive infrared: Passiv Infrarot: Ø 8 m (Passiv Infrarot: 50 m ²)
Colour, RAL	9010	Reach, presence 2	passive infrared: Passiv Infrarot: Ø 4 m (Passiv Infrarot: 13 m ²)
Includes corner wall mount	No	Switching zones	520 switching zones
Installation site	ceiling		
Installation	In-ceiling installation, Ceiling		

DualTech

COM1 - in-ceiling installation
 EAN 4007841 079574
 Article number 079574



Technical specifications

IP-rating	IP20
Ambient temperature	from -25 up to 55 °C
Material	Plastic
Mains power supply	220 – 240 V / 50 – 60 Hz
Sensor Technology 2	passive infrared
Technology, sensors	Ultrasonic, passive infrared, Light sensor
Mounting height	2,50 – 3,50 m
Mounting height max.	3,50 m
Optimum mounting height	2,8 m
Ultrasonic technology	40 kHz
Detection angle	360 °

Functions	Normal / test mode, Semi-/fully automatic, Pushbutton / switch mode, Manual ON / ON-OFF
Twilight setting	10 – 1000 lx
Time setting	30 s – 30 Min.
Basic light level function	No
Main light adjustable	No
Twilight setting TEACH	Yes
Constant-lighting control	No
Interconnection	Yes
Type of interconnection	Master/master, Master/slave
Interconnection via	Cable
Interconnection, number	max. 10 sensors
Product category	Presence detector

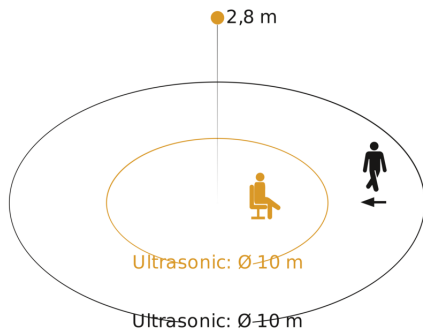
Accessories

EAN 4007841 009151	Remote control Smart Remote
EAN 4007841 559410	Service remote control RC8

DualTech

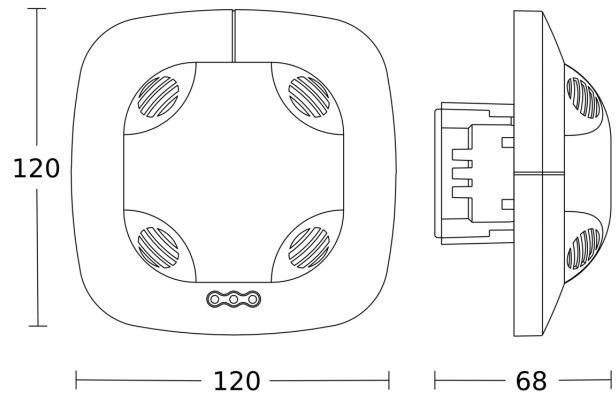
COM1 - in-ceiling installation
 EAN 4007841 079574
 Article number 079574

Detection Zone

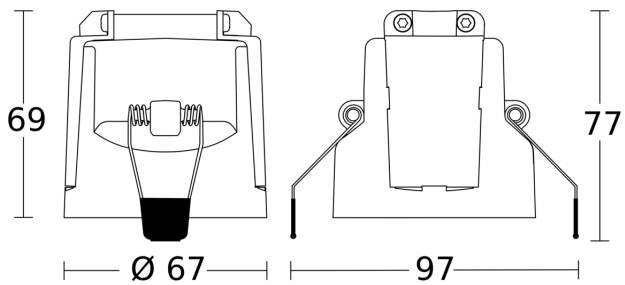


Possible mounting height: 2,50 m - 3,50 m
 Orange: presence and tangential
 Black: radial

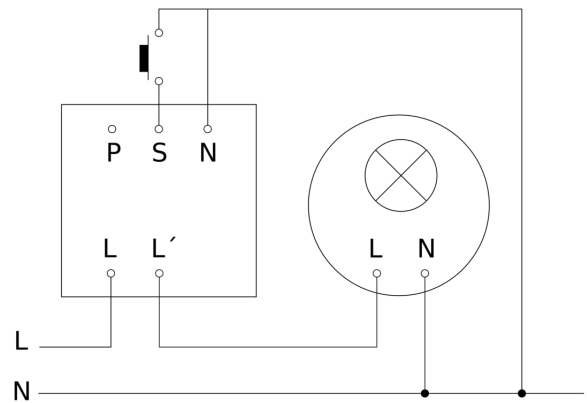
Dimension Drawing 1



Dimension Drawing 2



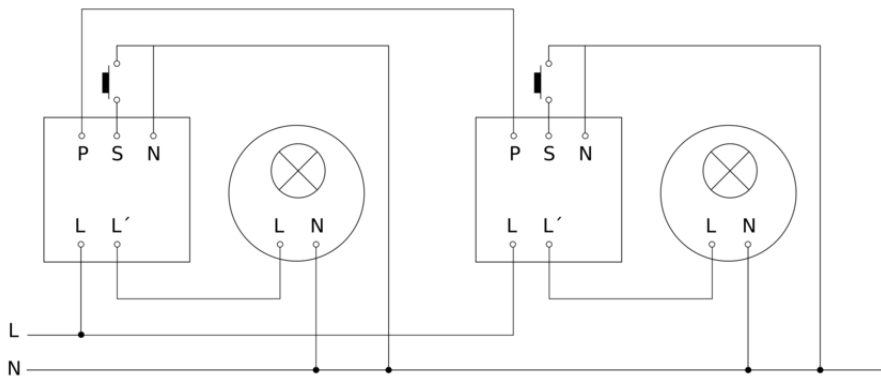
Master circuit diagram



DualTech

COM1 - in-ceiling installation
EAN 4007841 079574
Article number 079574

Master/master interconnection circuit diagram



Master/slave interconnection circuit diagram

